

# Product Information

---

---

## CAT5 Accessories C5-IMC

---

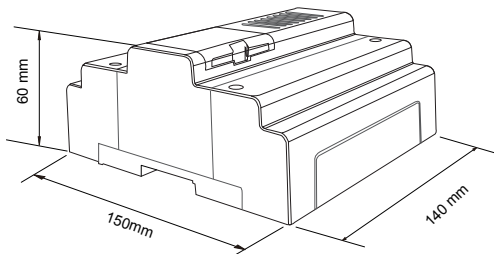


---

### DESCRIPTION

CAT5 system integrated memory controller

### DIMENSION

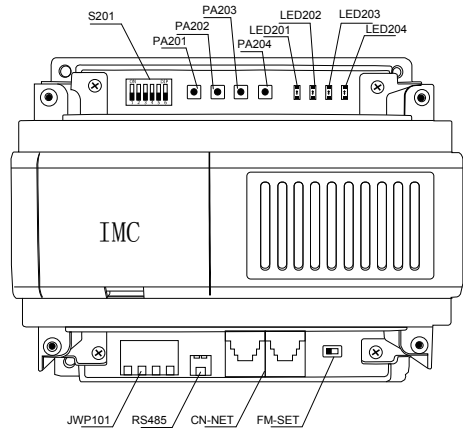


### FEATURES

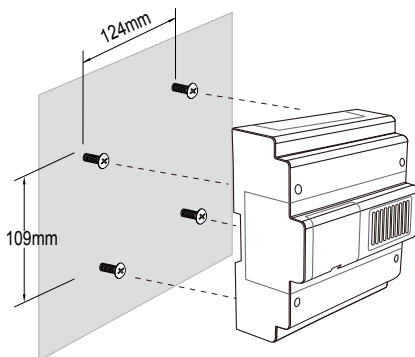
- ▶ Up to 800 pictures can be saved;
  - ▶ The pictures saved in IMC can be viewed on indoor monitor;
  - ▶ LED Indicators to show system status;
-

## 1. Parts and Functions

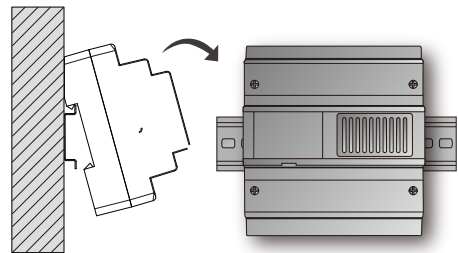
- \* S201: DIP switch
- \* PA201: Capture picture in normal status, for DIP test in test status
- \* PA202: Play picture in normal status, for EEPROM test in test status
- \* PA203: Exit in normal status, for monitor communication in test status
- \* PA204: Reserved in normal status, for door station communication in test status
- \* LED201: Power indicator
- \* LED202: Reserved
- \* LED203: Picture saving indicator
- \* LED204: Picture play indicator
- \* JWP101: Power input, DC 20V
- \* RS485: PC port. To update the firmware
- \* CN-NET: Signal input and output, RJ45 port
- \* FM-SET: Video match switch



## 2. Unit Mounting



Direct Wall Mounting



DIN Rail Mounting

### 3. Specification

- \* Power supply: DC 24V
- \* Standby current: 78mA
- \* Working current: 135mA
- \* Working temperature: -10°C~40°C
- \* Connection port: RJ45
- \* Dimension: 140(H)×150(W)×60(D)mm

### 4. Ordering Information

Model No.	Brief Description	Remark
C5-IMC	Integrated memory controller	

### 5. Packing Information



Dimensions: 153(H) X148(W) X68(D) mm  
Gross Weight: 0.5Kg



Carton: 495(H) X403(W) X310(D) mm  
Quantity: 30PCS